

As you know, Columbia Gas has been installing a new gas line along the Williams/Transco easement over the past few months. The next step is the installation of the Cathodic protection against corrosion of the new pipe line. We are notifying you separately as the work is being done just adjacent to your lot and should begin within the next week to ten days.

Below and attached is additional information. If you have any questions or concerns, please contact Jerry Murphy:

Gerald W. Murphy

Sr. Right of Way Agent Field Services | Percheron

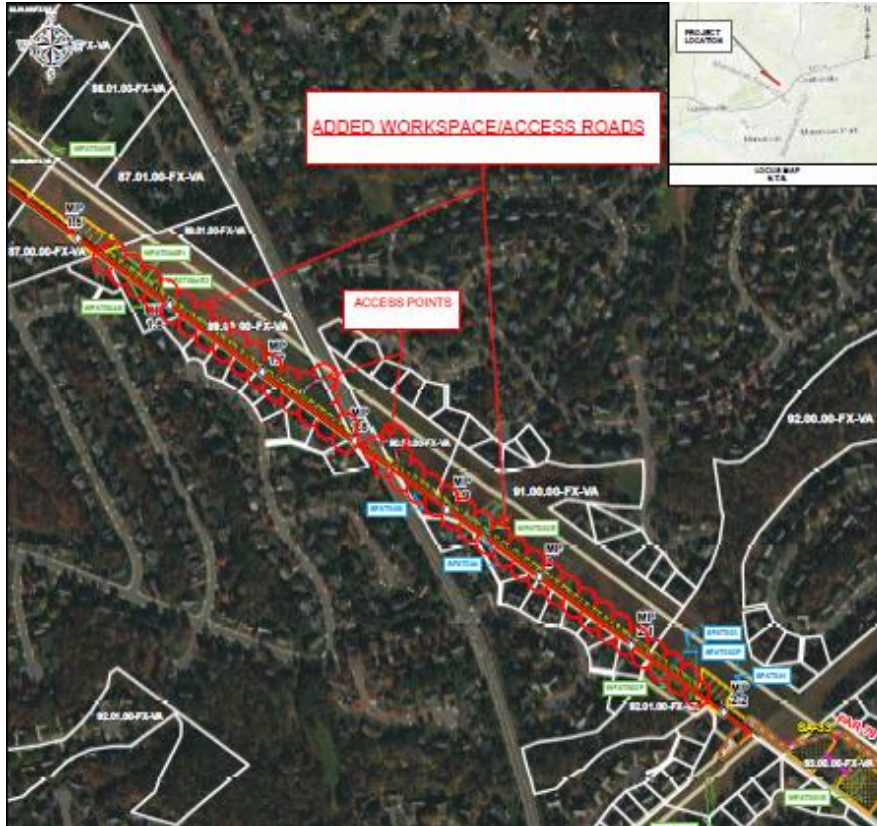
c. 218.348.0792

gerald.murphy@percheronllc.com

The proposed work will consist of installing an AC Mitigation Cable (cathodic protection) within the Line VA-1 right-of-way between mileposts 1.52 and 2.18 for protection against corrosion for the pipeline.



The workspace extends approximately 20 feet north of the Line VA-1 right-of-way, and is approximately 3,180 feet long between the pipeline HDD entry and exit areas.



All but a portion of the cable under Pleasant Valley Road and the two streams East of Pleasant Valley Road will be installed via a trenching method utilizing a Vermeer 750 Cable Plow.

<https://www.youtube.com/watch?v=yDd3Q0Bg4m4>

Vermeer 750 Cable Plow



The portion of cable going under Pleasant Valley Road and two streams southeast of Pleasant Valley Road will be completed using utility HDDs with a Vermeer 24 x 40.

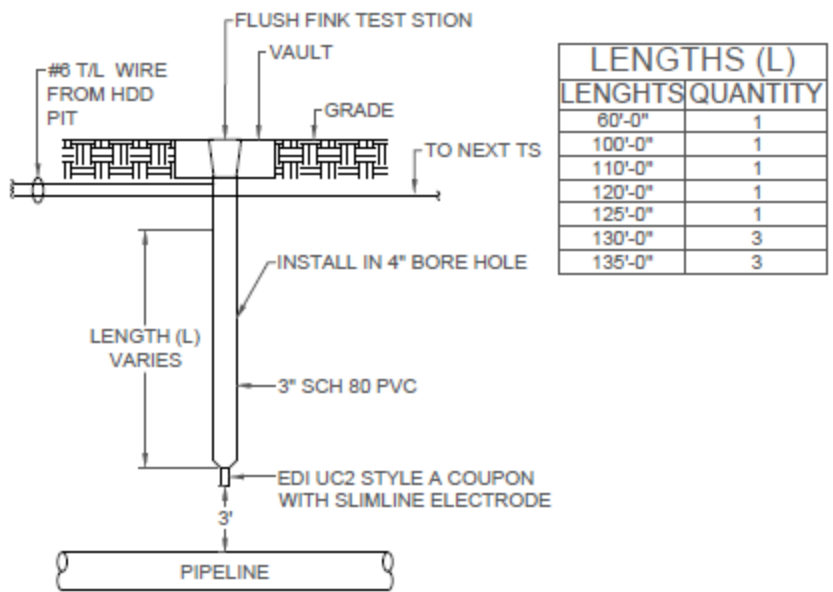
<https://www.youtube.com/watch?v=tI7knJSraA4>

Vermeer 24 x 40



As part of the cathodic protection for the pipeline, eleven cathodic protection monitoring well stations (60 to 135 feet) will be installed within the permanent Line VA-1 easement and a deep well anode (300 feet) will be installed at both the pipeline HDD site and the launcher receiver site. Detailed maps attached.

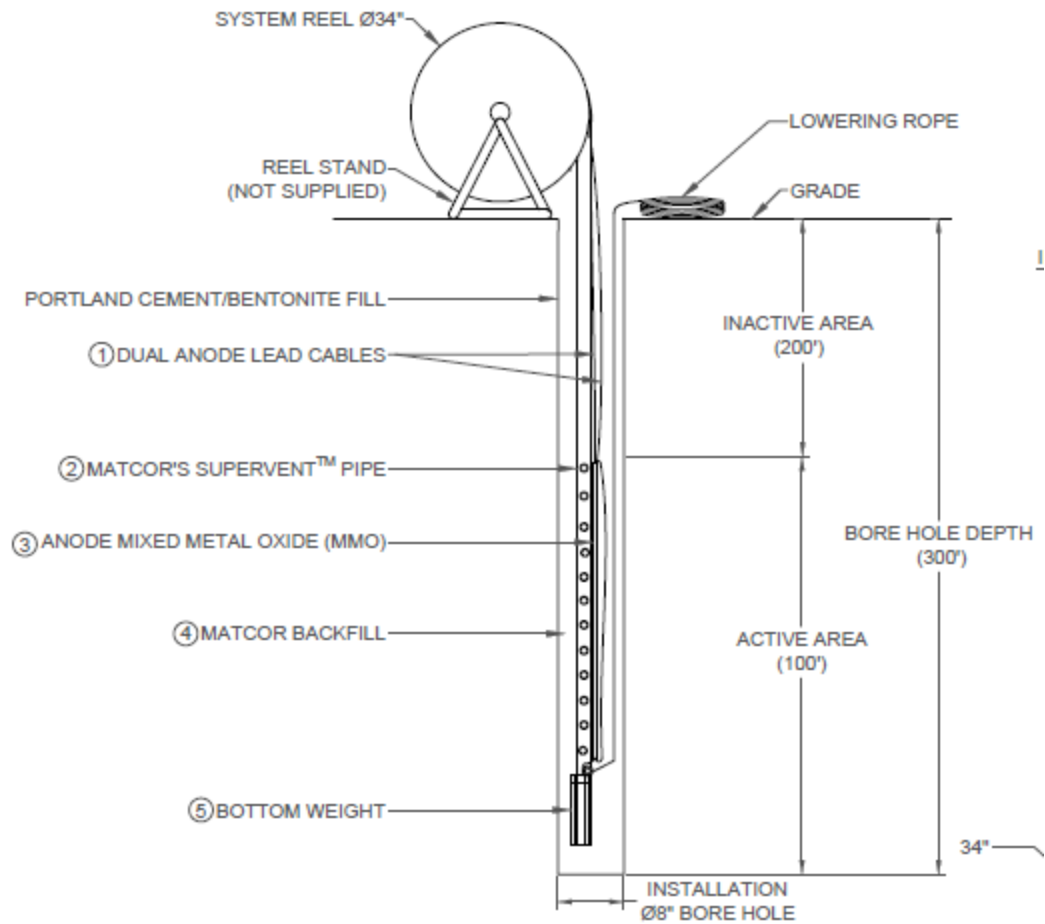
Test Station



LENGTHS (L)	
LENGTHS	QUANTITY
80'-0"	1
100'-0"	1
110'-0"	1
120'-0"	1
125'-0"	1
130'-0"	3
135'-0"	3

6 ————— HDD SECTION TEST STATION
TYPE 5

Deep Well Anode



Monitoring stations 2, 3, 5, and 11 are within 53 feet of a residential home. While Columbia will follow all FERC-approved Environmental Control Standards throughout the project, Columbia will install additional erosion and sediment control measures and fugitive dust control as specified in the FERC-approved Environmental Control Standards to protect these homes during construction.



Each anode or monitoring well testing station will be between 100 and 120 feet deep installed utilizing a Beetle 40R Rig with compressor truck and should take one to two days each and create about the same noise levels as the sample bores taken last year.

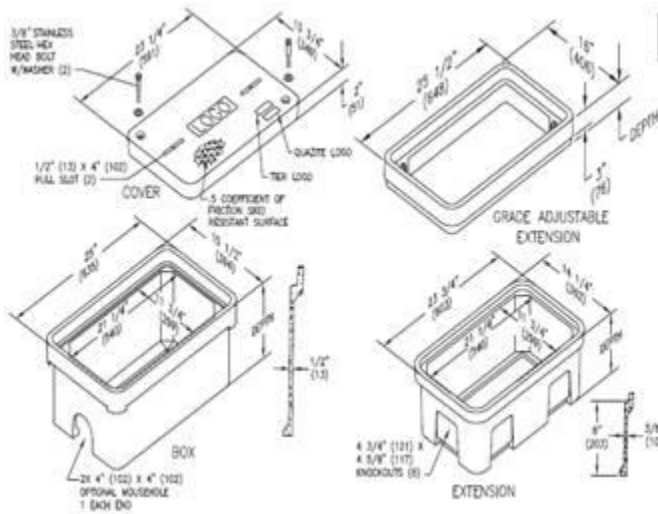
Beetle 40R Rig



Air Compressor Truck



The installed anodes and test stations will consist of an underground utility box that is flush with the surface and will be installed utilizing a Rubber Tire Backhoe and Bobcat Skid Steer.



Rubber Tire Backhoe



Bobcat Skid Steer



Two access points are needed off of Pleasant Valley Road to the workspace. These points are located at the existing pull-offs on the east and west side of Pleasant Valley Road, respectively.



Columbia will adhere to the requirements of the Fairfax County Noise Ordinance and construction timeframe commitments that we made with the Community Association. Columbia will limit any noise-generating construction to the hours of 7 AM to 7 PM Monday through Friday, and 9 AM to 7 PM on Saturday. The anticipated noise levels of the CP installation and drilling equipment will be between 60 and 90 dBA and the noise levels will be comparable to conventional pipe installation.